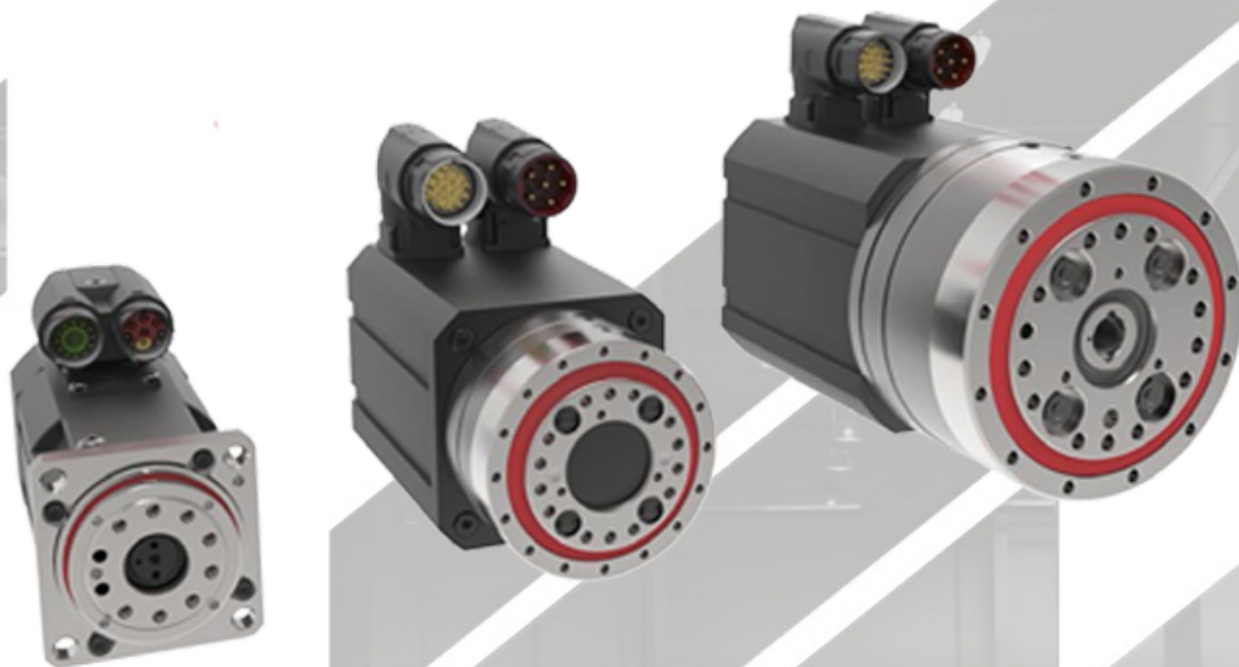
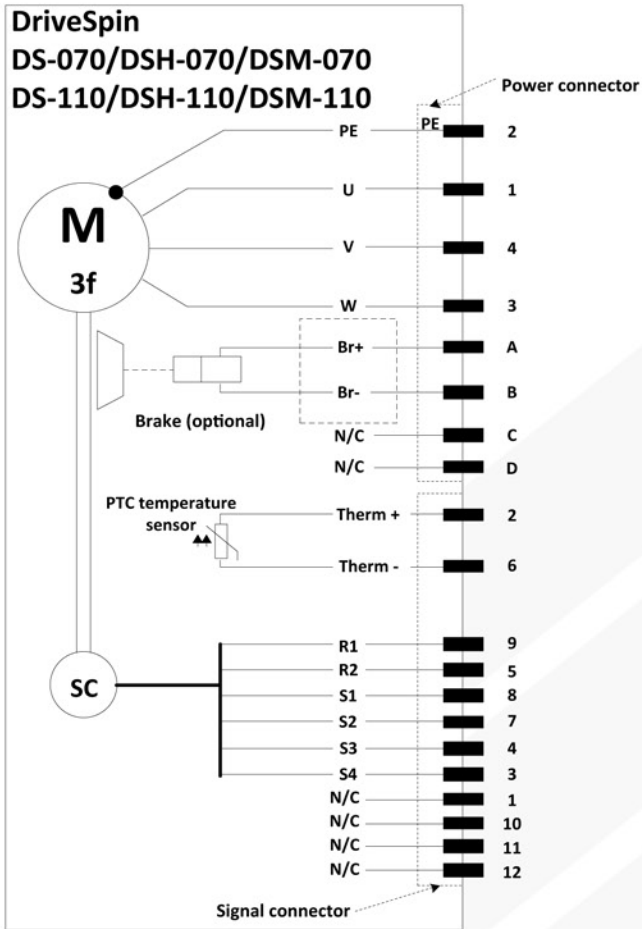


ВЫСОКОТОЧНЫЕ МОТОР-РЕДУКТОРЫ

DriveSpin



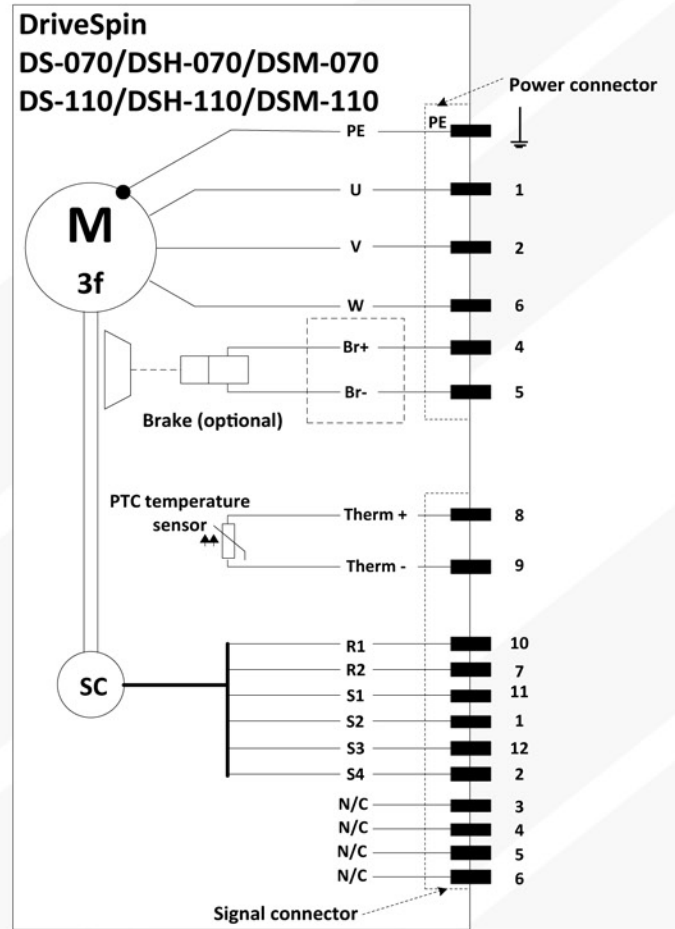
Resolver



Wiring diagram No. 1



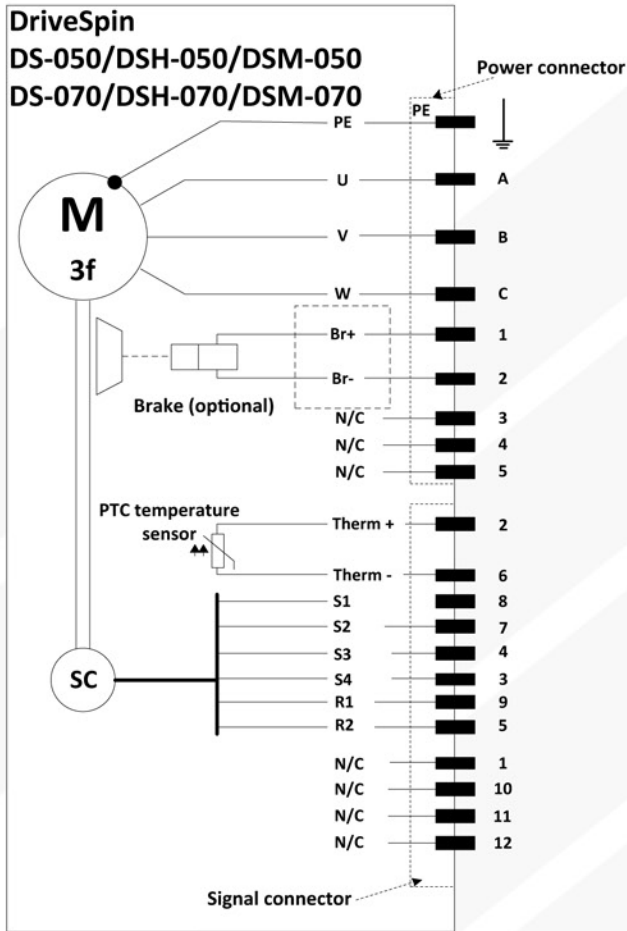
Resolver



Wiring diagram No. 4

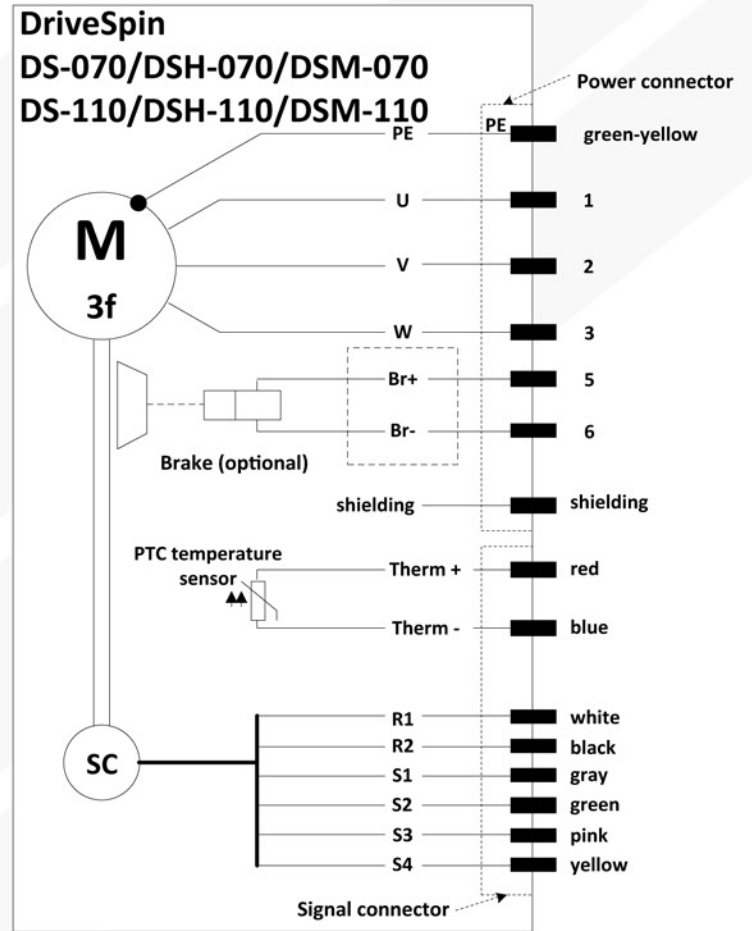


Resolver



Wiring diagram No. 13

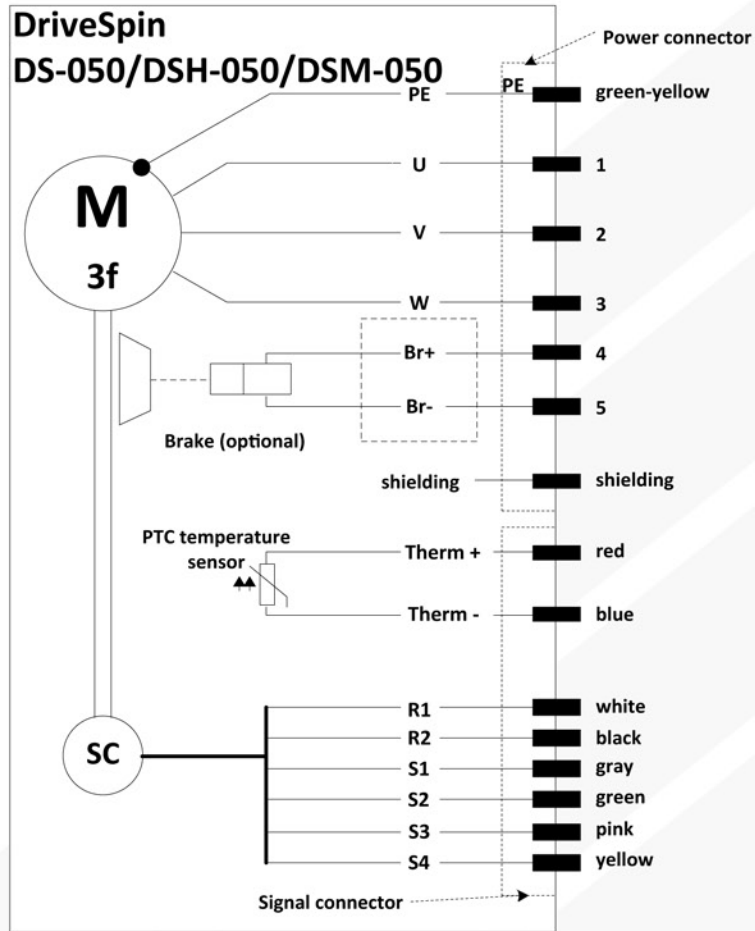
Resolver



Wiring diagram No. 8



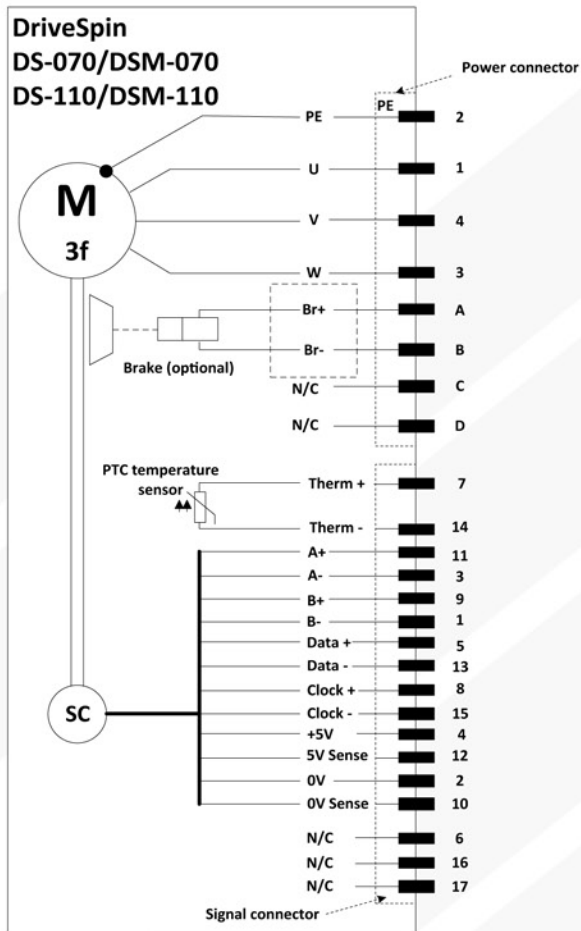
Resolver



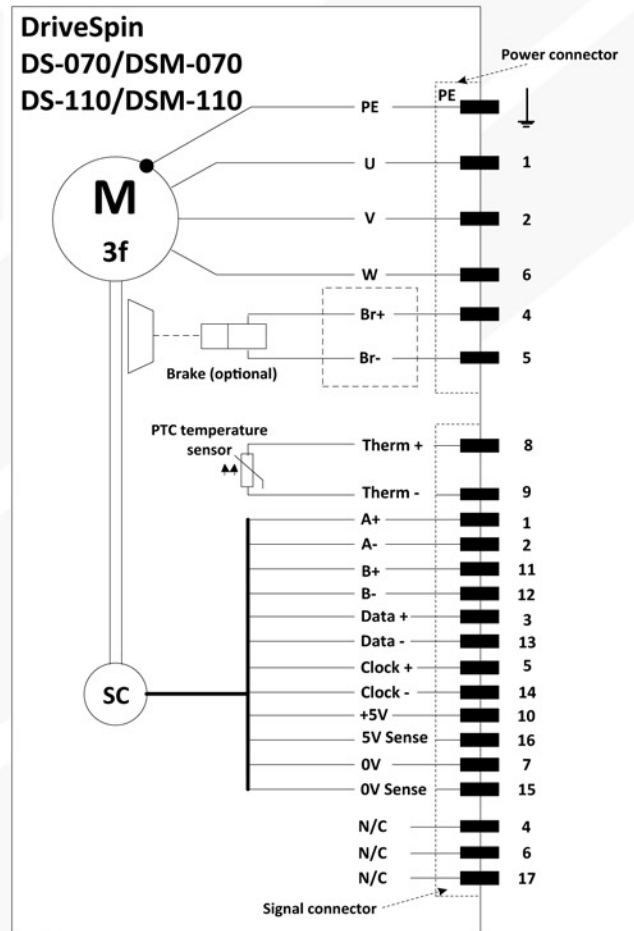
Wiring diagram No. 9



Absolute encoder (EnDat)



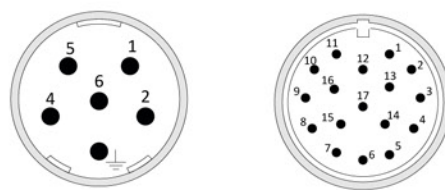
Absolute encoder (EnDat)



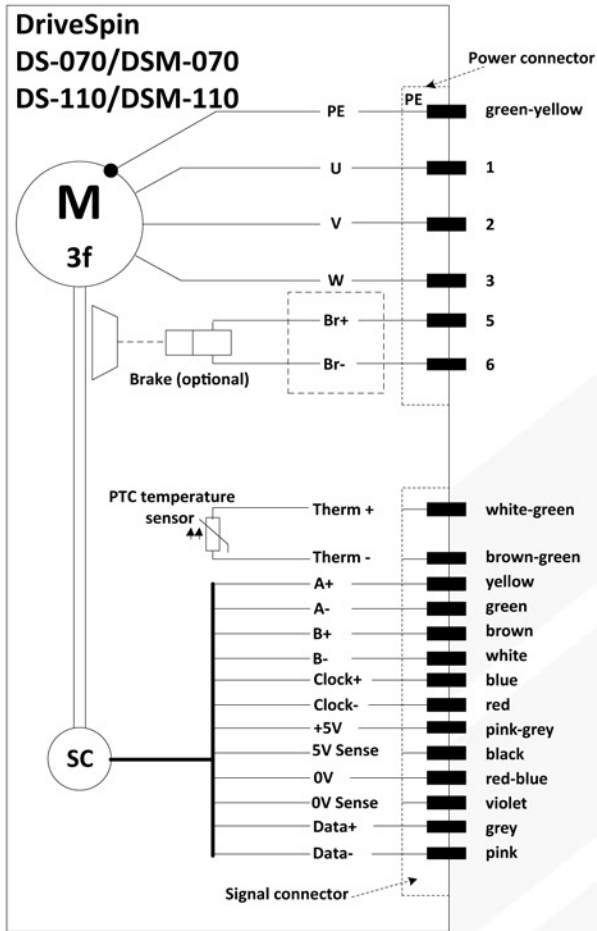
Wiring diagram No. 2



Wiring diagram No. 5

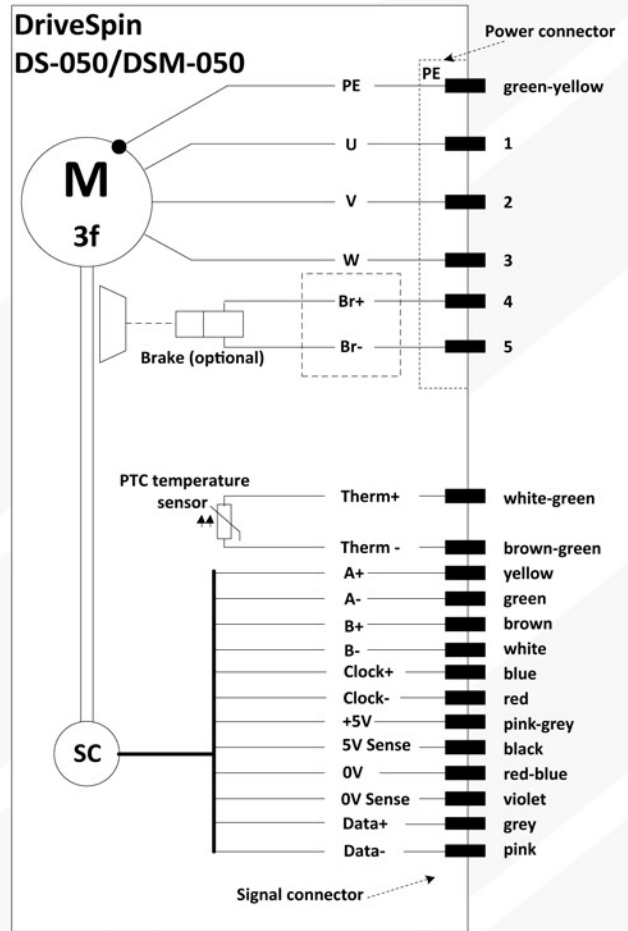


Absolute encoder (EnDat)



Wiring diagram No. 17

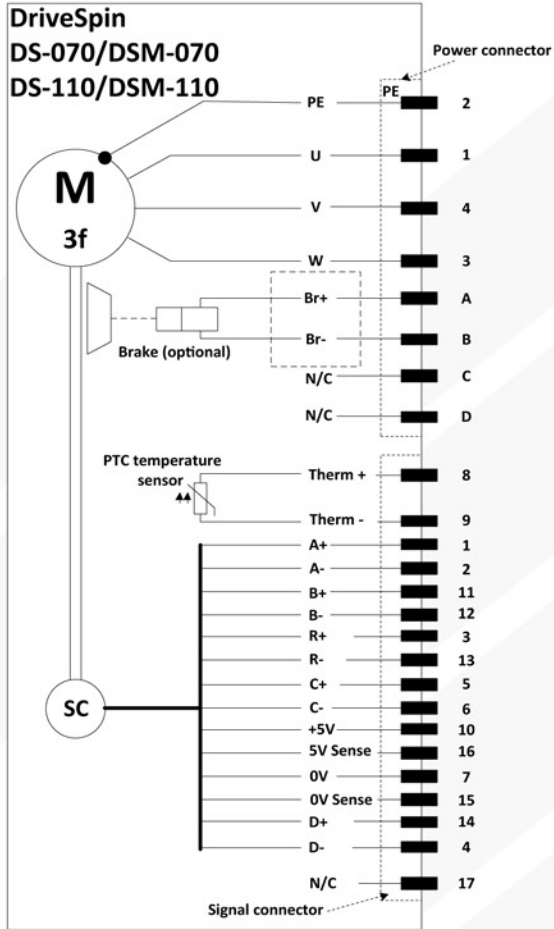
EQI/ECI Absolute encoder (EnDat)



Wiring diagram No. 18



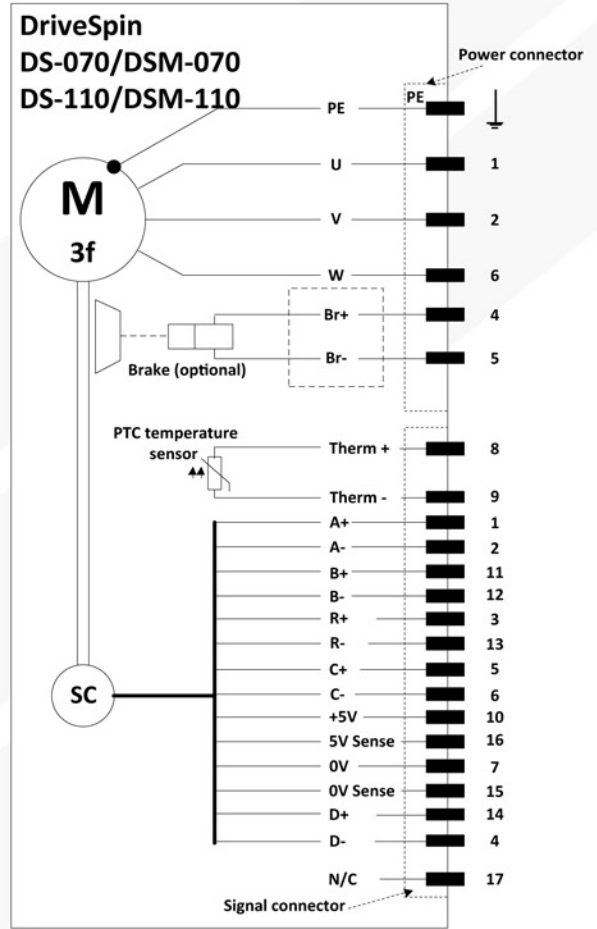
Incremental encoder (sin/cos) ERN1387



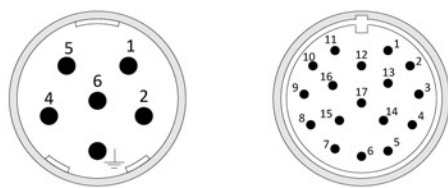
Wiring diagram No. 3



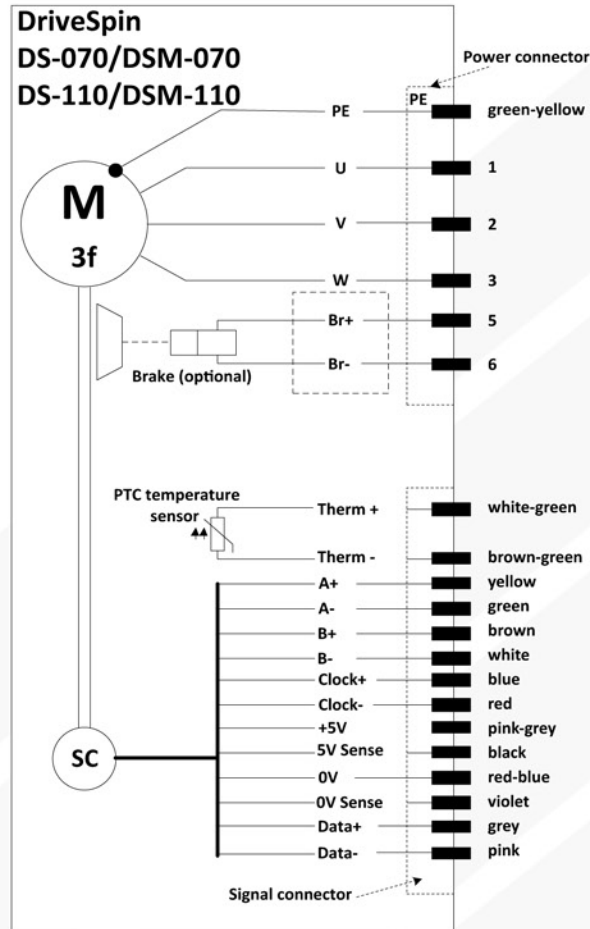
Incremental encoder (sin/cos) ERN1387



Wiring diagram No. 6



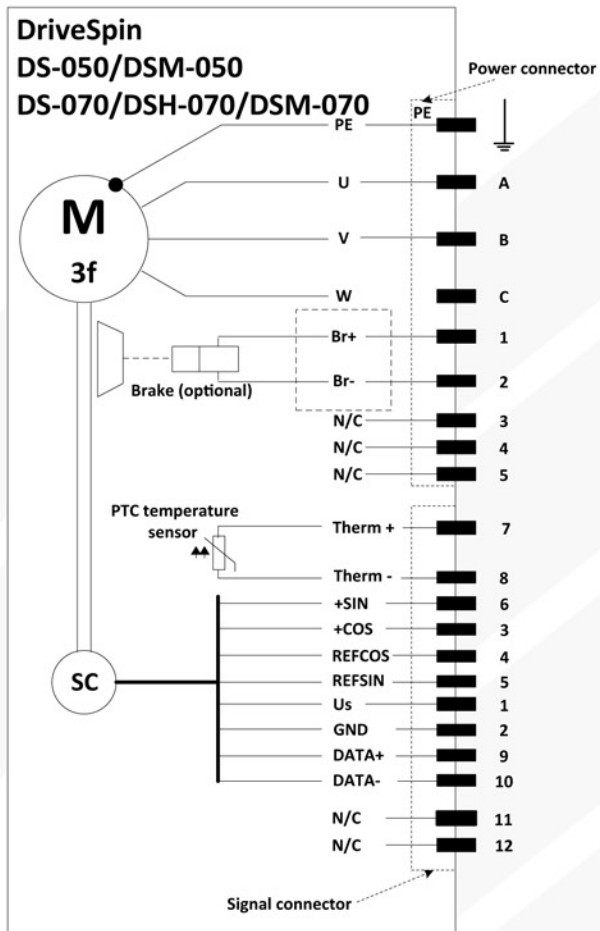
Encoder (sin/cos) ERN1387



Wiring diagram No. 23



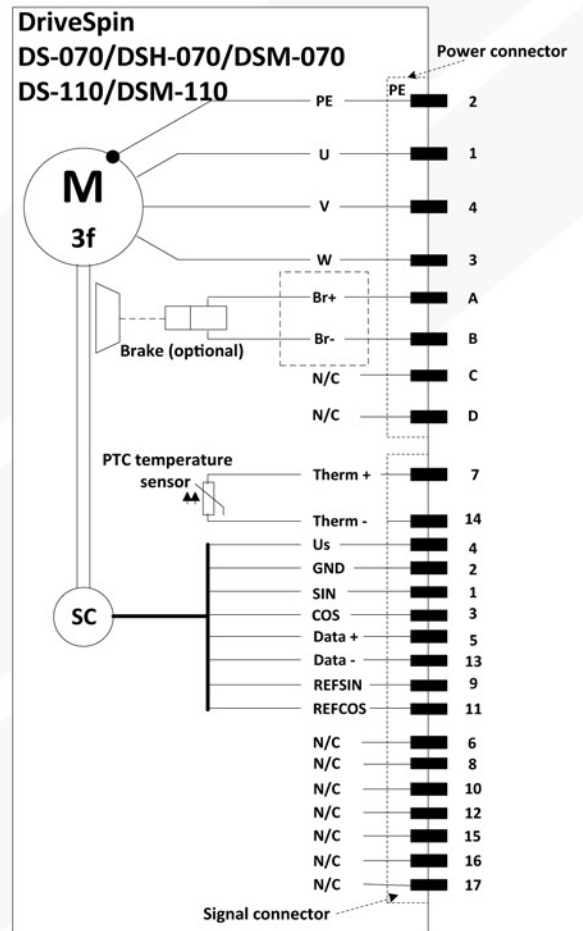
Encoder (HIPERFACE)



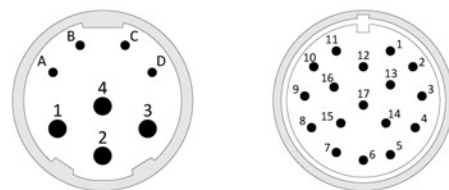
Wiring diagram No. 12



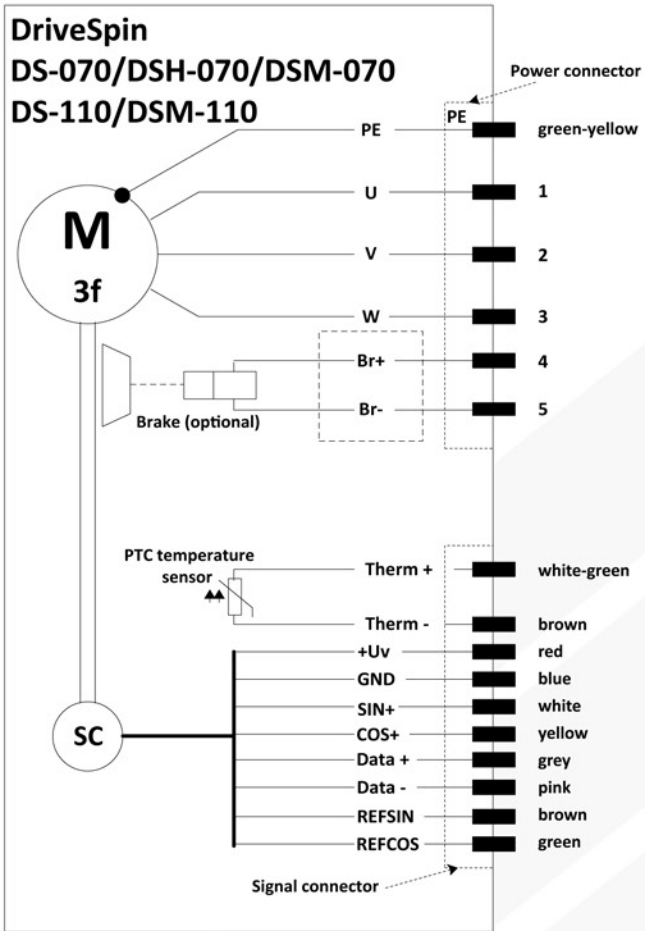
Encoder (HIPERFACE)



Wiring diagram No. 15

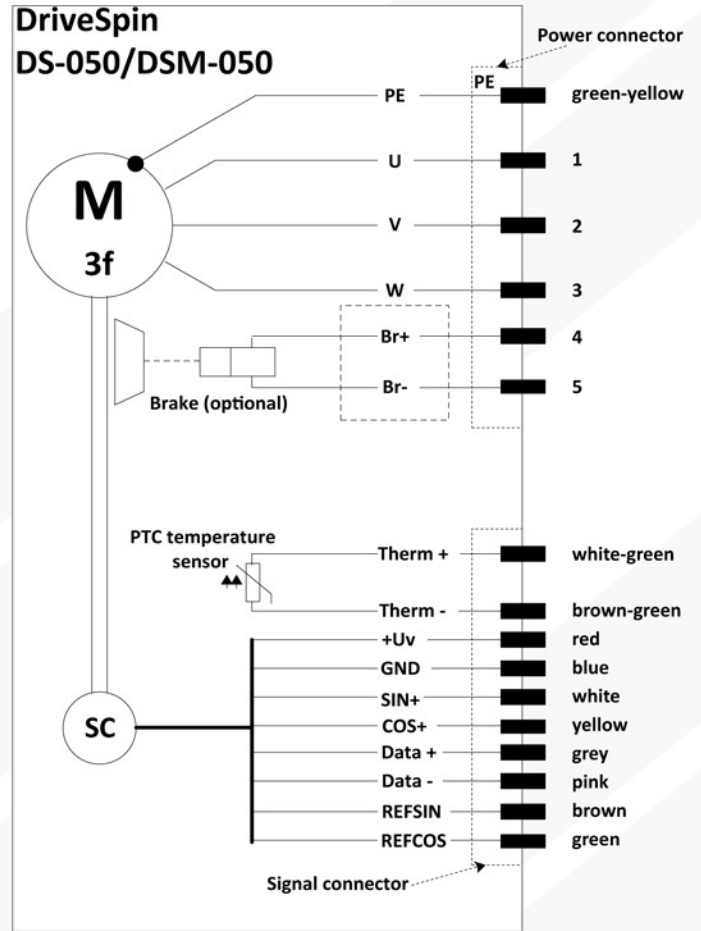


HIPERFACE Encoder SRM/SRS 50



Wiring diagram No. 21

HIPERFACE Encoder SEK/SEL 37

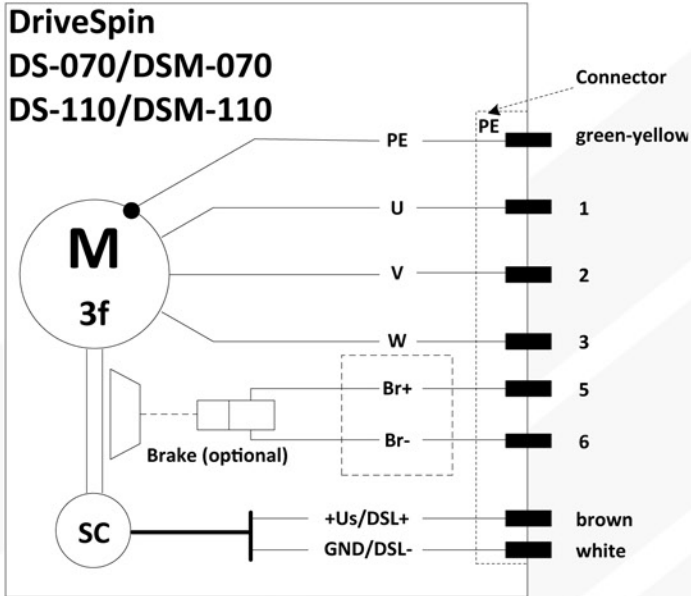


Wiring diagram No. 22

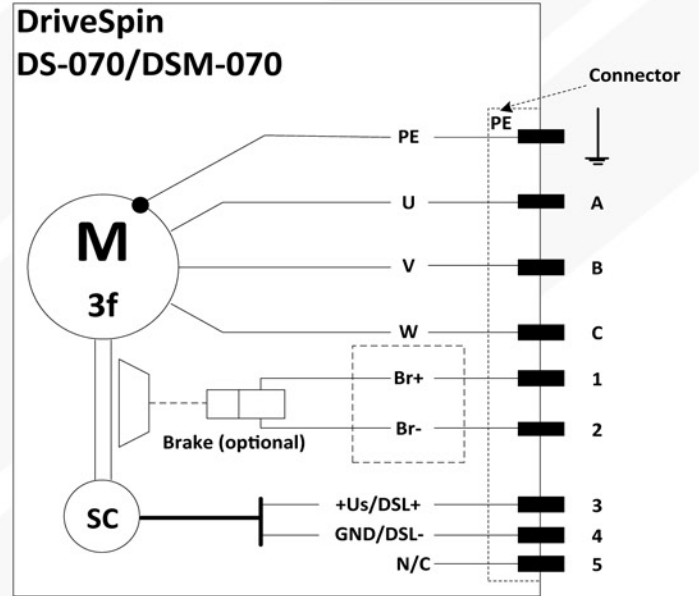


Encoder (HIPERFACE) DSL EKM/EKS36

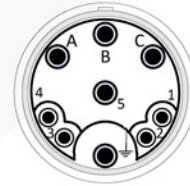
Encoder (HIPERFACE) DSL EKM/EKS36



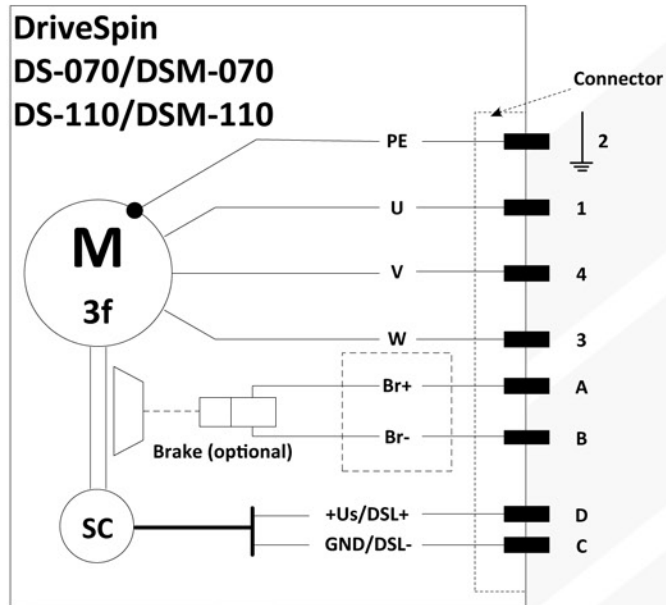
Wiring diagram No. 25



Wiring diagram No. 26



Encoder (HIPERFACE) DSL EKM/EKS36



Wiring diagram No. 27

