

Shift up to the Future

Sales - Development - Manufacturing - Service

marzahl



a&g

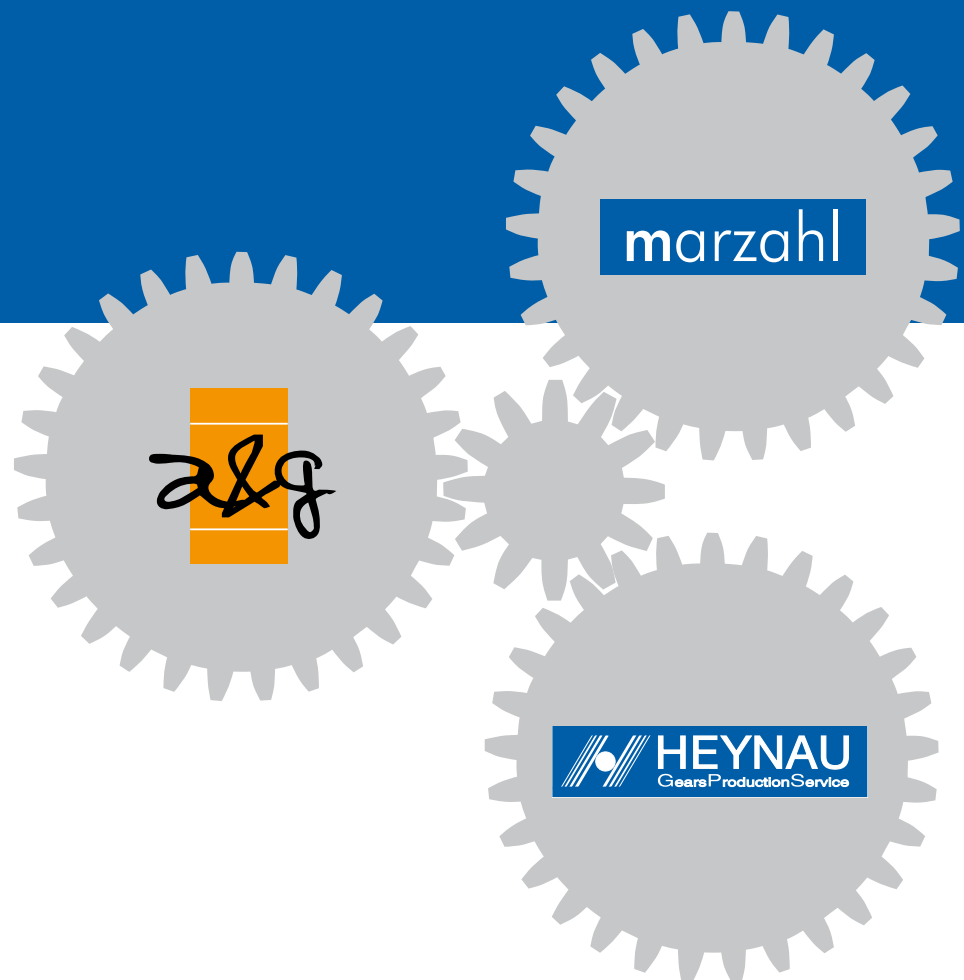
 **HEYNAU**
GearsProductionService

Servo Gearboxes
Machine Tool Gearboxes
Rack & Pinion
Active Cooler & Heat Exchanger
Clutches & Brakes
Special Solutions

Shift up to the Future

Our company offers you the development, layout and delivery of gearboxes and peripheral parts in the field of high technology, especially in machine tool.

Customized solutions for main spindle drives with competent consulting, long experience in international industry and the competence for design, manufacturing and assembly. System supply of gearboxes, cooling units and drive systems complete our portfolio. Our customers are well known companies in the industry with the demand of being leader in technology.

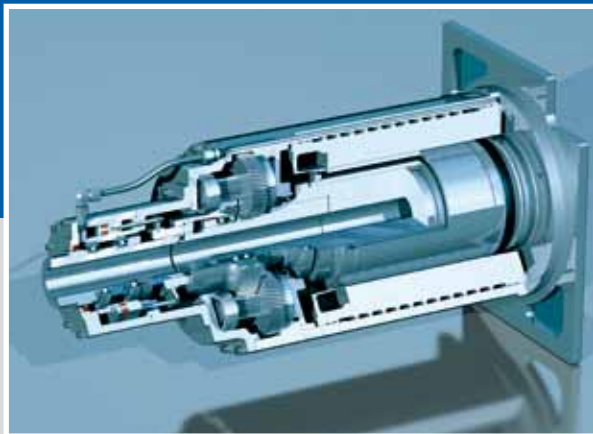


Product Range

Solutions for high-tech machine tools and mechanical engineering.

Development and manufacturing of prototypes and small volumes.

Job order production of high precision parts.

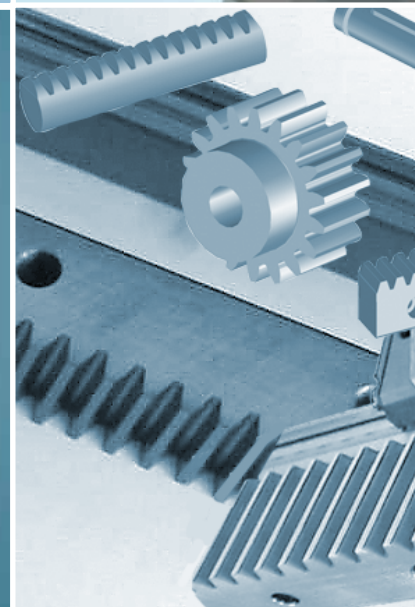
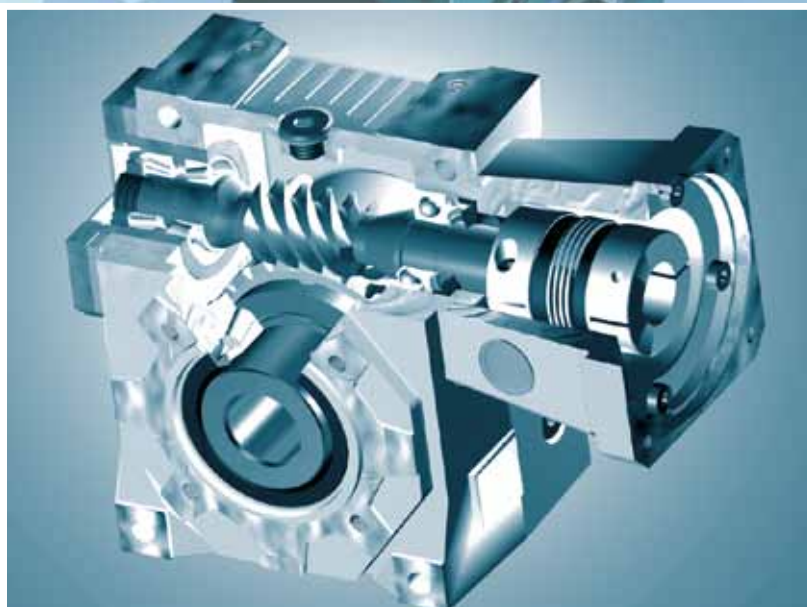
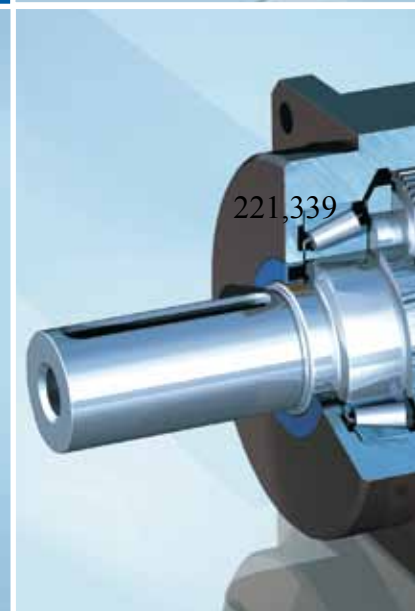
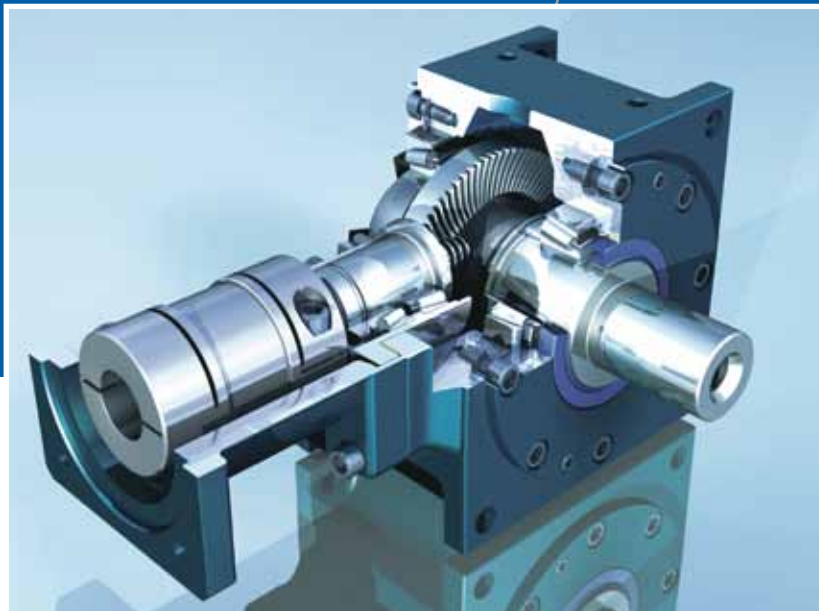


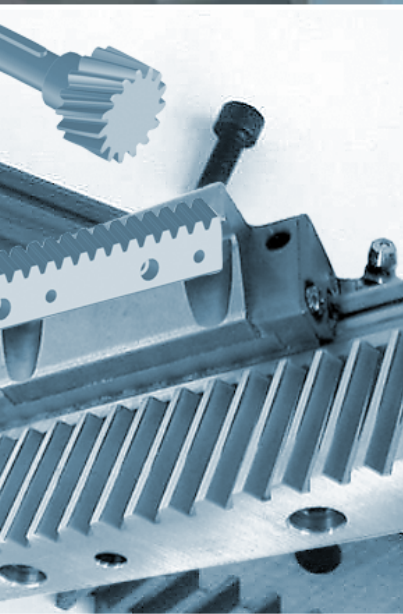
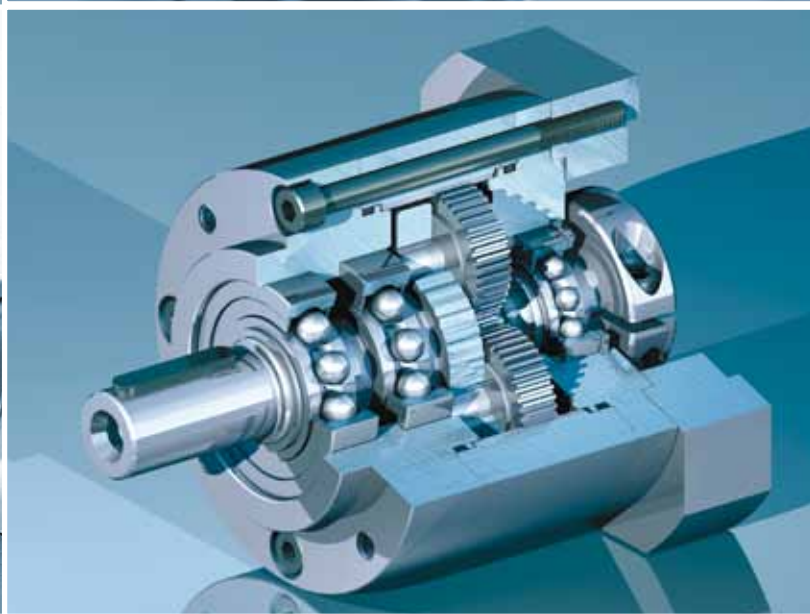
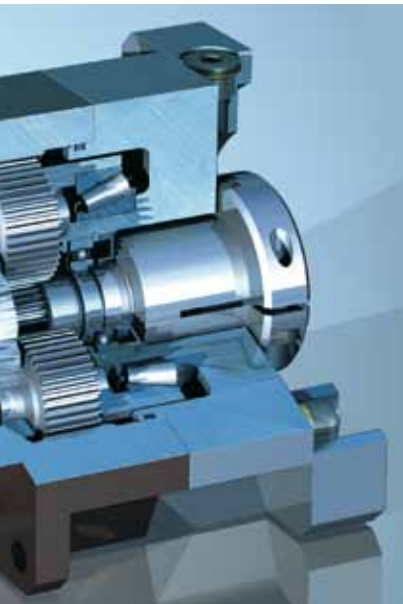
Individual Gear Solutions

Individual Gear Solutions

Product Range

- Servo planetary gearboxes
- Servo right angle gearboxes
- Servo worm gearboxes
- Two-speed gearboxes
- Single-disc clutches and brakes
- Backlash-free drives
- Racks and pinions





Sales | Development | Manufacturing | Processing | Logistics | Service

Product Range

Oil coolers

Water coolers

Heat exchangers

Cabinet coolers

Coolers for special purposes

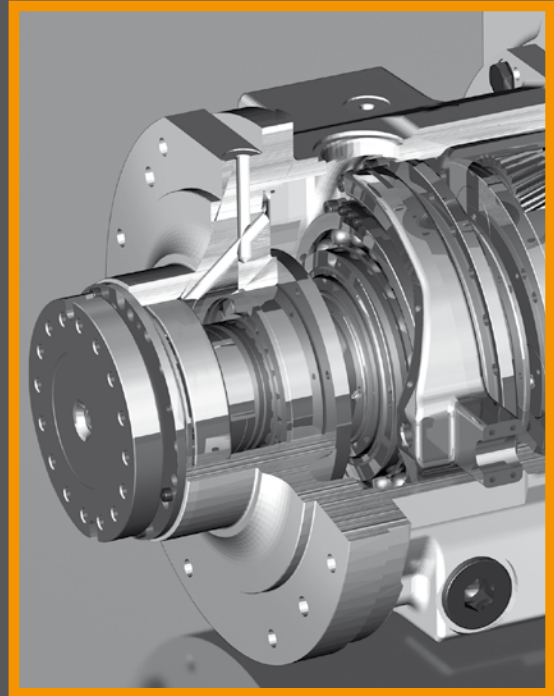


Highly precise
Environmentally friendly
Energy saving

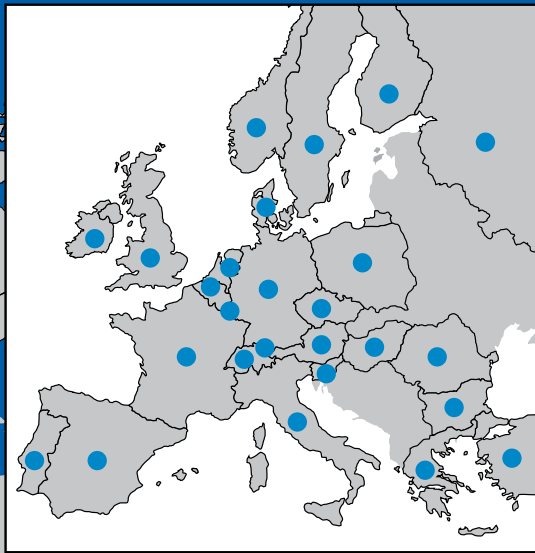


Service

Machine tool gearboxes and drives
ZF-Duoplan 2K
Spindle motors and servomotors
Oil and water coolers



- Directly on-site at the customers or at our location.
- Thermography testing of machine tools and complete lines, including entire analysis and interpretation.
- Correct assembly of motor and gearbox including test run. Adaptation of the motor and the gearbox by means of vibration monitoring, noise measurement, acceptance test runs, test reports and FIC (First Installation Check).
- Assembly support at the machine.
- Professional repair of gearboxes and motors with original spare parts.
- New and rebuild gearboxes and coolers, mostly available from stock.
- 24-hour and weekend services.



marzahl



HEYNAU
GearsProductionService

Sales | Logistics | Service

Marzahl Vertrieb GmbH
Ulzburger Straße 528
D-22844 Norderstedt
Tel.: +49 (0) 40 / 53 54 00 0
Fax: +49 (0) 40 / 53 54 00 24

E-mail: marzahl@marzahl.de
Internet: www.antriebstechniken.de

Engineering | Sales

a&g automation and gears GmbH
Am Sandbühl 2
D-88693 Deggenhausertal
Tel.: +49 (0) 75 55 / 92 78 80
Fax: +49 (0) 75 55 / 92 78 80 1

E-mail: info@aundg.com
Internet: www.aundg.com

Development | Manufacturing

Heynau GearsProductionService GmbH
Tuchwalkerstraße 5
D-84034 Landshut
Tel.: +49 (0) 87 1 / 78 01 0
Fax: +49 (0) 87 1 / 78 01 14 0

E-mail: info@heynau.de
Internet: www.heynau.de